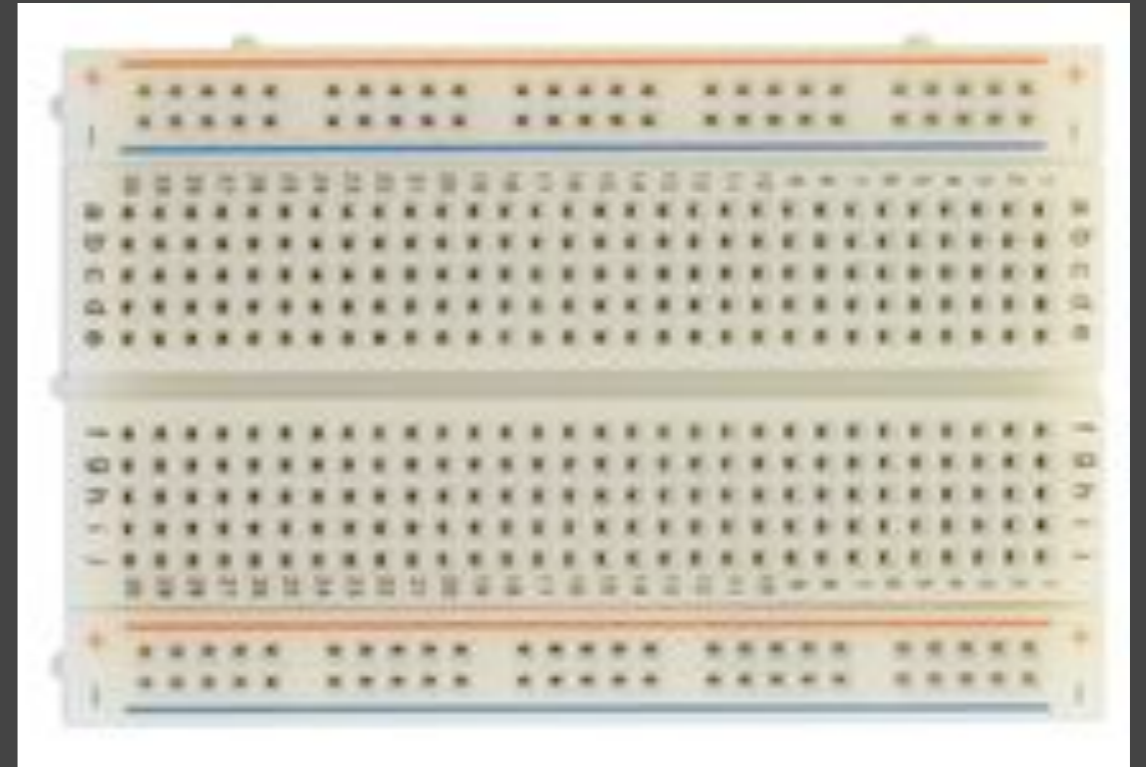


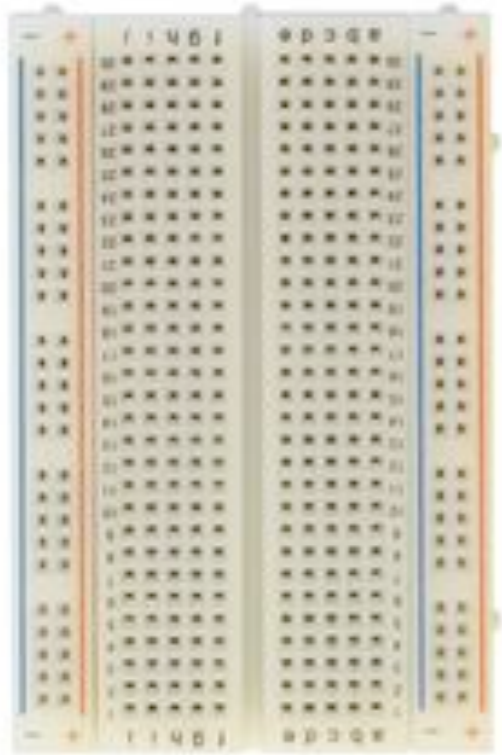
# Breadboard Logic

# Breadboard Logic

Breadboards enable quick stable, temporary connections between components.



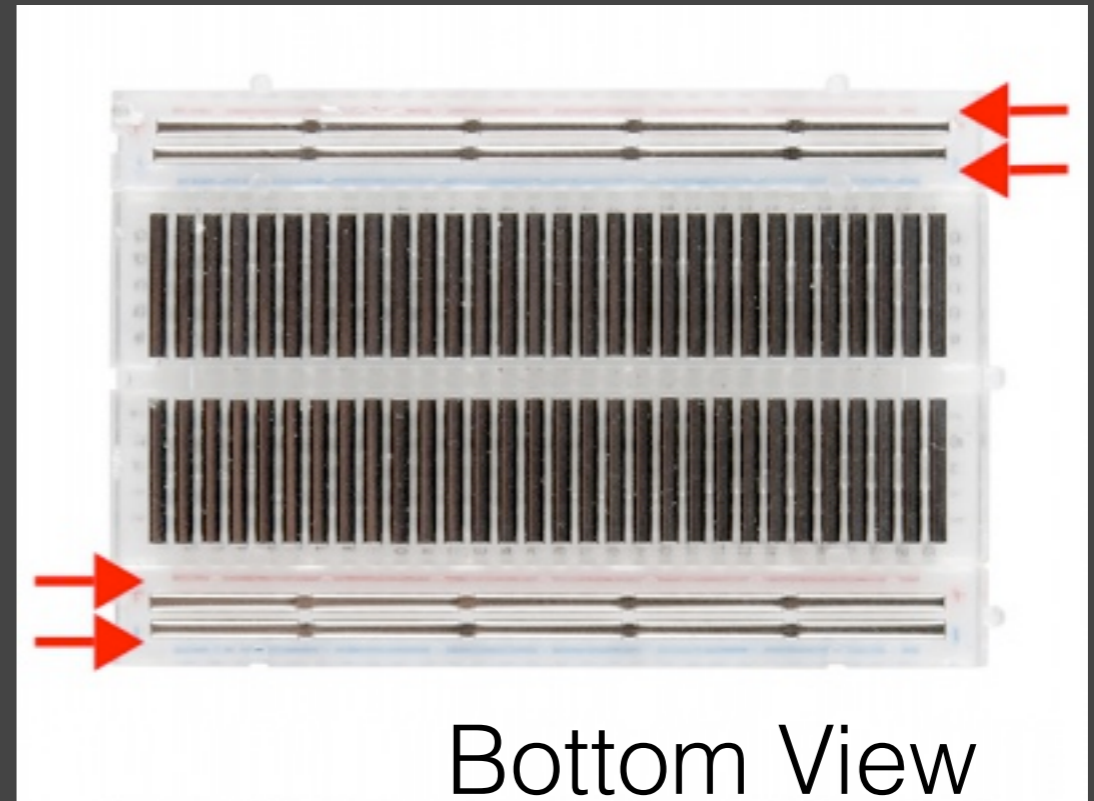
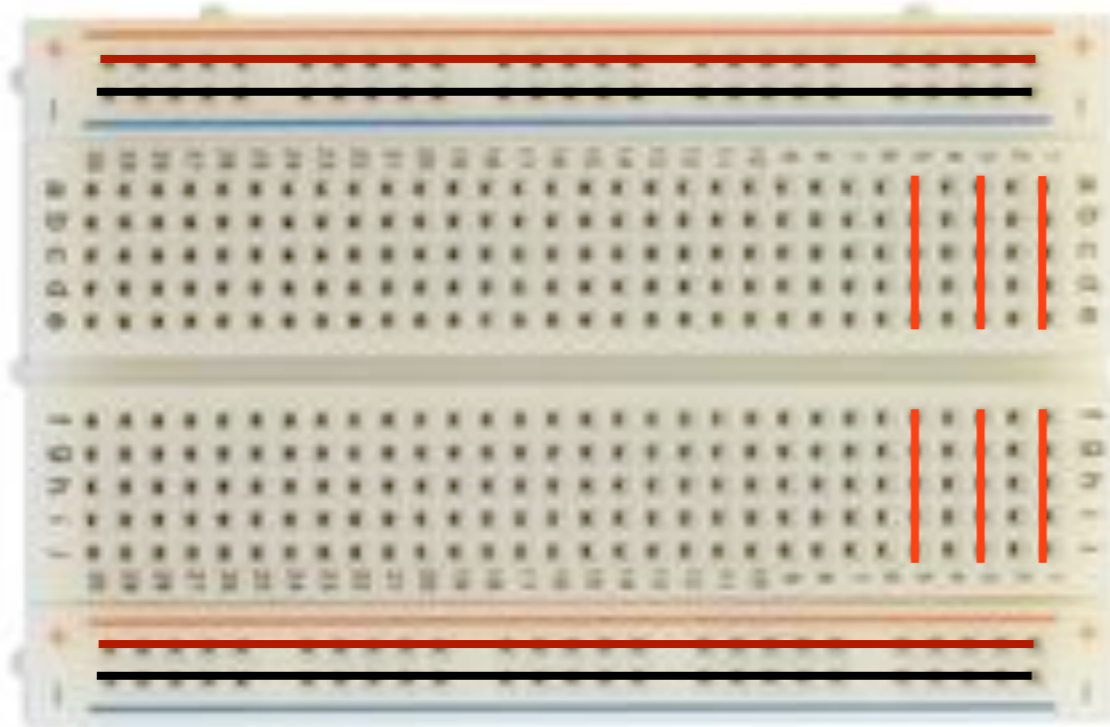
# What do Breadboards want ?



- breadboards just **want to connect**
- and they have hundreds of holes called **tie points** — and in each hole there is a little gripper that holds onto parts.

# Breadboard Logic

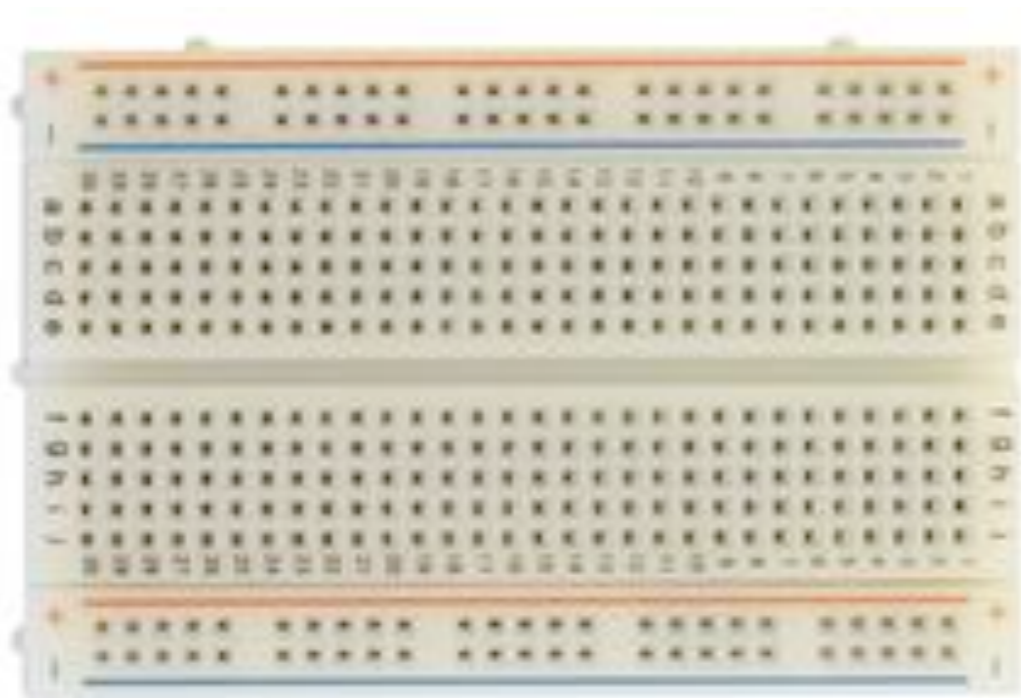
Top View



Bottom View

We call this rapid prototyping of circuits.

# Breadboard Logic



=

